

# AP-561

## Micro-WAP

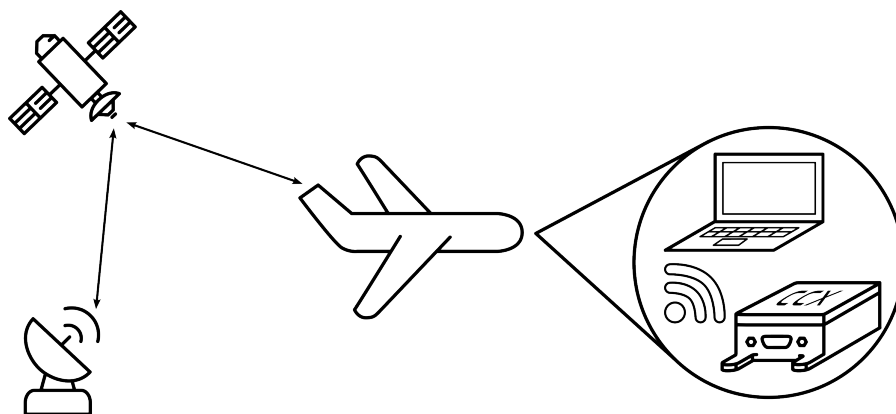


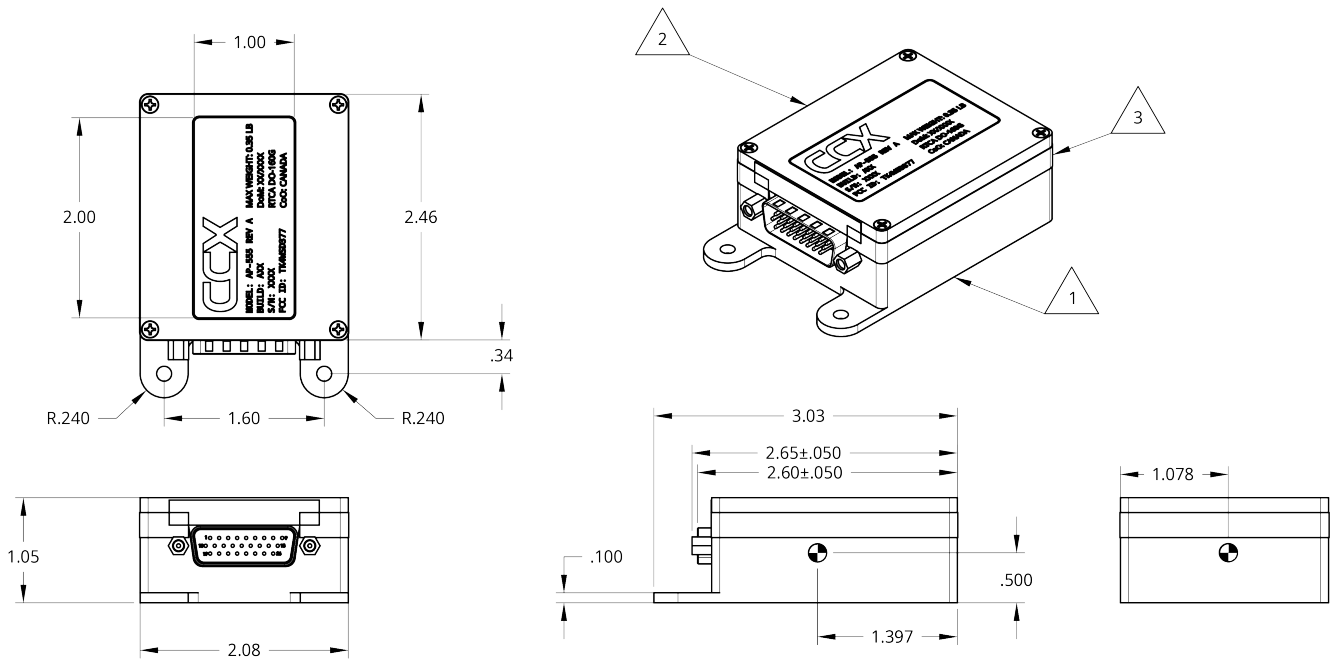
The AP-561 Micro-WAP is a small wireless access point that provides WiFi connectivity to passengers and equipment onboard an aircraft. In a 1 by 2 by 3 inch enclosure it is the world's smallest aviation grade Wireless Access Point (WAP). This small appliance can support up to 5 devices simultaneously. The size and weight of the Micro-WAP facilitates a large number of installation options.

With a customized version of the SystemX Operating System, the AP-561 supports many of the networking, security, data collection and management, and application hosting features provided by SystemX.

## Features

- Lightweight and compact
- Connect up to 5 devices to the Micro-WAP
- Up to 100+ Mbps of data
- One Gigabit Ethernet interface
- One 802.11ac WiFi Radio with an integrated antenna
- One ARINC-429 receiver
- Includes a customized version of the SystemX Operating System
- 120GB for data storage





## Technical Information

Dimensions	2.46"L x 2.08"W x 1.05"H
Weight	0.35lb
Mounting Provisions	2 mounting holes for #6 bolts or screws; flange mount. Option to install in 2 or 4 MCU form factor with an IK-350
Connectors	MIL-DTL-24308G 26-pin Male HD D-sub
Operating Voltage	28VDC
Typical Power Consumption	2.5W
Maximum Power Consumption	5W
WiFi <sup>1</sup>	IEEE802.11ac/n/a/b (WiFi 5), 2.4GHz/5GHz, radio with radio enable discrete input
Ethernet	10/100/1000 BASE-T IEEE 802.3 Compliant Ethernet Ports with: ACS, Automatic MDI/MDIX crossover, Automatic polarity correction, and IEEE 802.3u compliant auto negotiation
ARINC-429	ARINC-429 RX Only
Discrete GPIO	ARINC-628 GND/Open and High/Low Sensing Discrete Inputs/Outputs
Data Storage	120GB
Environmental Qualifications	RTCA DO-160G

<sup>1</sup>All DataPHYs are available with hardware disabled WiFi radios for applications with security requirements that don't allow for wireless connections.


## Interfaces

QTY	Interfaces	Standards
1	Ethernet	1000/100/10BASE-T (IEEE 802.3ab/u/i)
1	WiFi (Integrated Antenna)	IEEE 802.11ac/n/b/a (2.4 GHz/5GHz)
1	Databus Receiver	ARINC-429
1	Radio Disable Discrete Inputs	ARINC-628
1	Discrete Output	ARINC-628
1	Discrete Input	ARINC-628
1	Power	28V DC

### Contact us:

 [ccxtechnologies.com](http://ccxtechnologies.com)

 [info@ccxtechnologies.com](mailto:info@ccxtechnologies.com)

 +1 (613) 695-9434

Powered  
by

