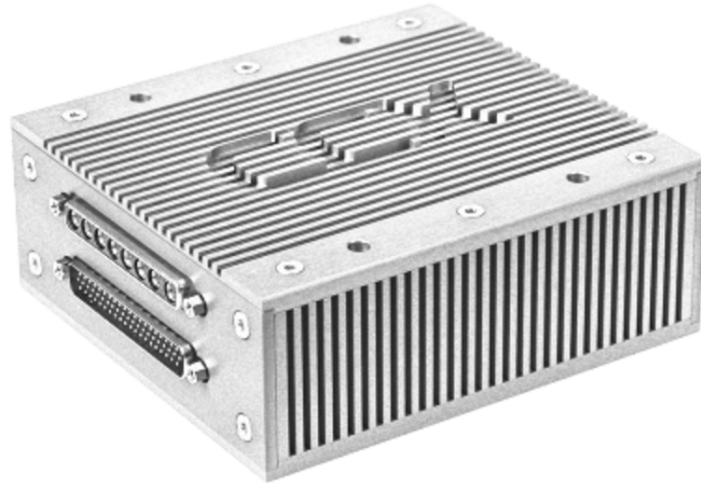


AP-251

Cybersecurity Appliance and Cabin Router

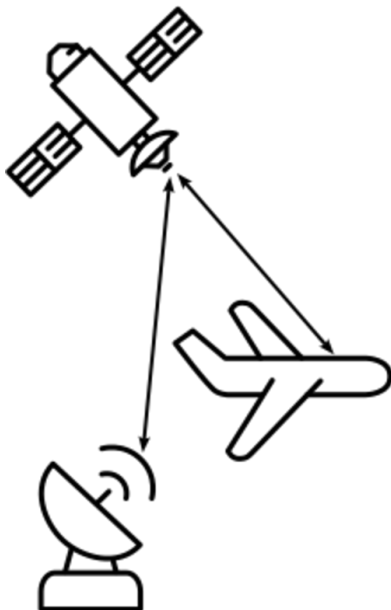


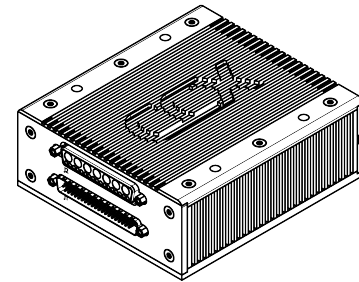
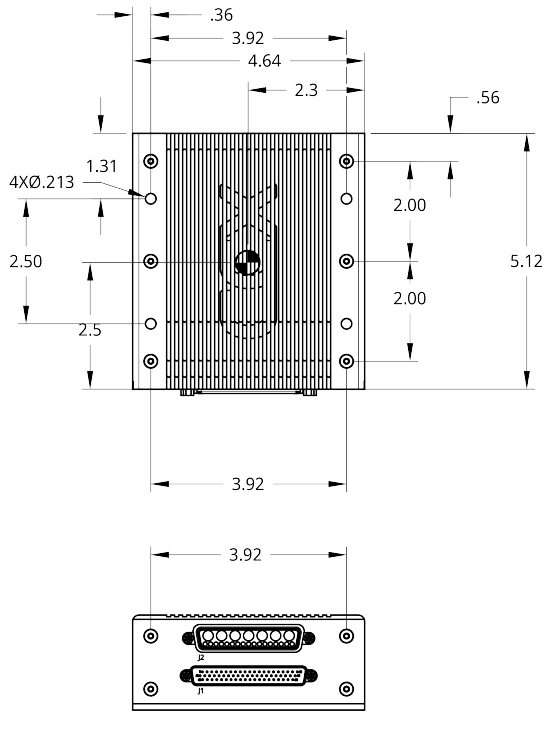
Improve the cybersecurity posture and cabin network connectivity onboard your platforms with the AP-251 Cybersecurity Appliance and Cabin Router. The AP-251 can serve as an Intrusion Detection System (IDS), a secure applications server, and an advanced cabin router. It features some of the latest networking hardware including a 5G cellular modem and two dual band 802.11az WiFi 6 radios.

This appliance adds security to the network with end-to-end data encryption, network and local firewalls, encrypted data-at-rest, and Secure Boot. CCX Technologies' advanced platform IDS is capable of monitoring databus, log, and IP network traffic for potential cyber vulnerabilities.

Features

- Lightweight and compact
- Configurable Policy-Based Routing (PBR) engine
- Multi-WAN support (support multiple SATCOM systems)
- Secure VoIP calling
- Device management tools
- Configurable IDS
- Zeek and SNORT network monitoring frameworks
- End-to-end data encryptions
- Advanced local/network firewalls
- Secure Boot/encrypted data-at-rest
- Compatibility with many databus standards (including ARINC 429, MIL-STD-1553, and CANBUS)
- Common data formatting/data fusion
- 1 TB solid-state drive for data storage
- Secure applications server
- Platform configuration management





Technical Information

Dimensions	5.18" L x 4.64" W x 1.90" H
Weight	2.4lb
Mounting Provisions	4 mounting holes for #8 bolts or screws; flange mount. Option to install in 2 or 4 MCU form factor with an IK-350
Connectors	MIL-DTL-24308G 62-pin Male HD D-sub MIL-DTL-24308G 24W7 Coax Female D-sub
Operating Voltage	28VDC or 12VDC
Typical Power Consumption	14W
Maximum Power Consumption	20W
WiFi	IEEE802.11ax/ac/n/a/b (WiFi 6), 2.4GHz/5GHz, 2x2 MuMIMO radios with radio enable discrete input
Mobile Broadband	5G bands with radio enable discrete input
Supported Antennas	CCX Technologies IK-201 (5G) and IK-200 (WiFi)
Ethernet	10/100/1000 BASE-T IEEE 802.3 Compliant Ethernet Ports with: ACS, Automatic MDI/MDIX crossover, Automatic polarity correction, and IEEE 802.3u compliant auto negotiation
ARINC-429	ARINC-429 RX Only
Discrete GPIO	ARINC-628 GND/Open and High/Low Sensing Discrete Inputs/Outputs
Data Storage	1TB NVMe
Telephony Support	Secure VoIP
SIM Card Module	Contains SIM card (3G/4G/LTE/5G) with global telecom support.
Environmental Qualifications	RTCA DO-160G


Interfaces

QTY	Interfaces	Standards
6	Ethernet	1000/100/10BASE-T (IEEE 802.3ab/u/i)
2	WiFi	IEEE 802.11ax/ac/n/b/a (2.4 GHz/5GHz)
1	Cellular	5G/4G
2	Databus Receivers	ARINC-429
3	Radio Disable Discrete Inputs	ARINC-628
4	Bidirectional Discretes	ARINC-628
1	Power	12V and 28V DC

Contact us:

 ccxtechnologies.com

 info@ccxtechnologies.com

 +1 (613) 695-9434

Powered
by

