

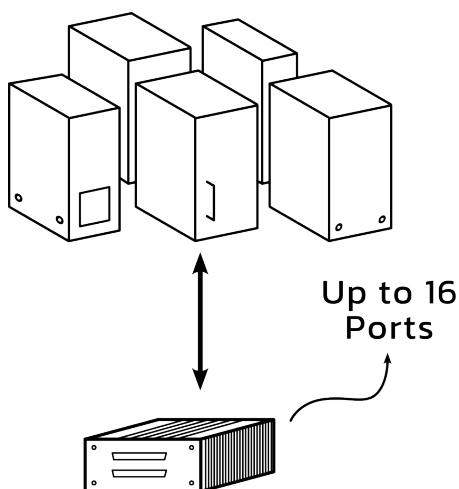
# AP-160

## 16-Port Switch



The AP-160 16-Port Switch is a compact and lightweight networking appliance that can simultaneously serve as an ethernet switch, a cybersecurity appliance, a router, and an applications server in the most demanding environments.

The Switch is a line-speed secure managed switch with 16 total Ethernet Ports: twelve 2.5G/1G/100M/10M and four 1G/100M/10M ports. It is the highest performance and smallest form-factor aviation and military grade 2.5G Ethernet Switch currently available on the market.

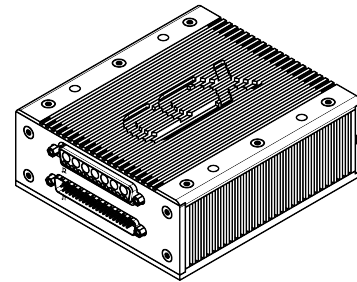
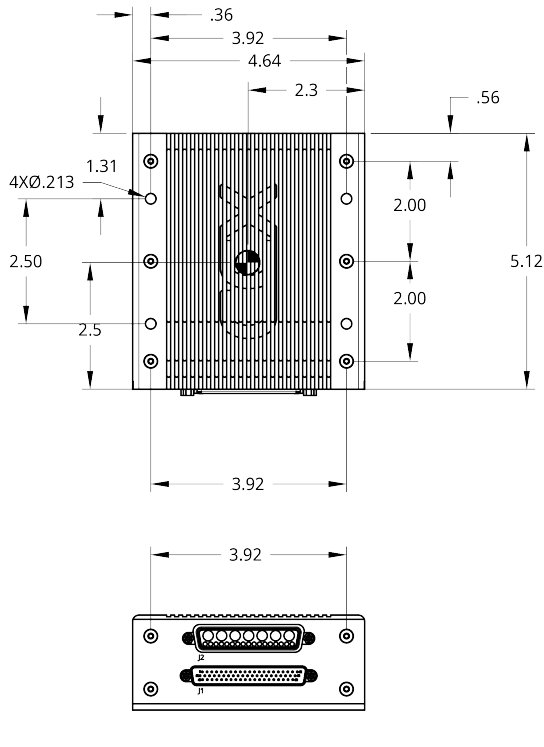


---

## Features

---

- Lightweight and compact
- Active data monitoring
- 16 Ethernet ports
- Secure boot and encrypted data-at-rest
- Advanced firewalls
- IDS and IPS (Intrusion detection and prevention system)
- Modern VPN
- Complete version of SystemX
- Manage multiple SATCOM Systems
- Device management tools



## Technical Information

Dimensions	5.18"L x 4.64"W x 1.90"H
Weight	2.4lb
Mounting Provisions	4 mounting holes for #8 bolts or screws; flange mount. Option to install in 2 or 4 MCU form factor with an IK-350
Connectors	MIL-DTL-24308G 62-pin Male HD D-sub MIL-DTL-24308G 107-pin Female HD D-sub
Operating Voltage	28VDC or 12VDC
Typical Power Consumption	18W
Maximum Power Consumption	26W
Ethernet	10/100/1000/2500 BASE-T IEEE 802.3 Compliant Ethernet Ports with: ACS, Automatic MDI/MDIX crossover, Automatic polarity correction, and IEEE 802.3u compliant auto negotiation
Discrete GPIO	ARINC-628 GND/Open and High/Low Sensing Discrete Inputs/Outputs
Data Storage	1TB NVMe
Environmental Qualifications	RTCA DO-160G


## Interfaces

QTY	Interfaces	Standards
12	Ethernet	2500/1000/100/10 BASE-T (IEEE 802.3bz/ab/u/i)
4	Ethernet	1000/100/10 BASE-T (IEEE 802.3ab/u/i)
3	Discrete Inputs	ARINC-628
4	Bidirectional Discretes	ARINC-628
1	Power	12V and 28V DC

### Contact us:

 [ccxtechnologies.com](http://ccxtechnologies.com)

 [info@ccxtechnologies.com](mailto:info@ccxtechnologies.com)

 +1 (613) 695-9434

Powered  
by

