

AP-156

Air-Gapped Router



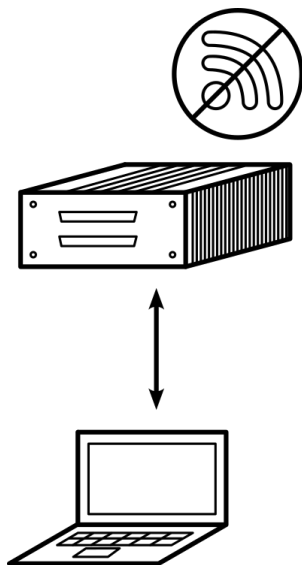
The AP-156 Air-Gapped Router is a compact and lightweight networking appliance that can simultaneously serve as a cybersecurity appliance, a router, and an applications server in the most demanding environments.

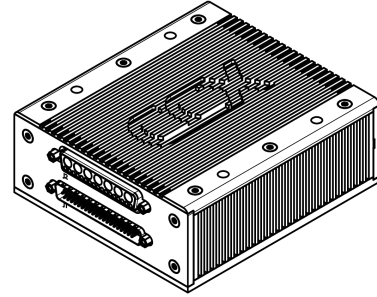
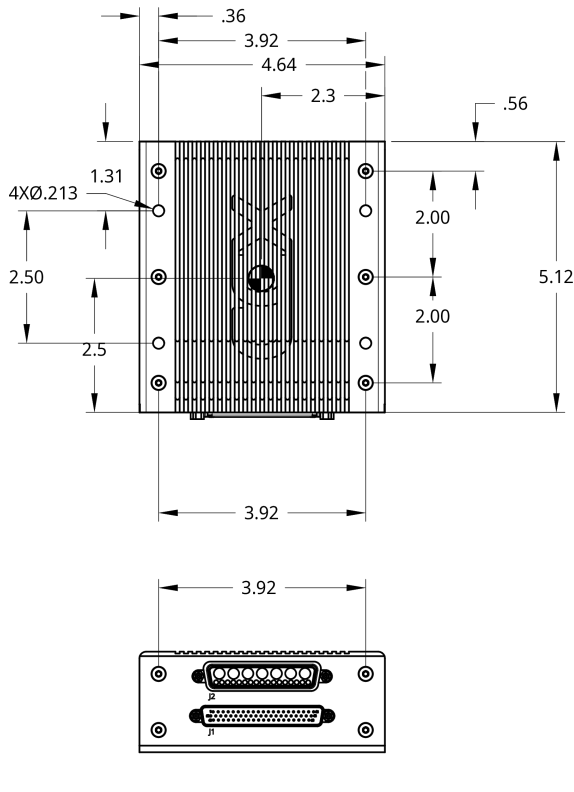
The AP-156 features 6 Ethernet Interfaces and does not contain any WiFi or Mobile broadband Radios. This router is intended for applications with air-gapped security requirements.

This appliance adds security to the network with end-to-end data encryption, network and local firewalls, encrypted data-at-rest, and Secure Boot. CCX Technologies' advanced platform IDS is capable of monitoring databus, log, and IP network traffic for potential cyber vulnerabilities.

Features

- Lightweight and compact
- Configurable Policy-Based Routing (PBR) engine
- Device management tools
- Configurable IDS
- Zeek and SNORT network monitoring frameworks
- End-to-end data encryptions
- Advanced local/network firewalls
- Secure Boot/encrypted data-at-rest
- Compatibility with many databus standards (including ARINC-429, MIL-STD-1553, and CAN Bus)
- Common data formatting/data fusion
- 1TB solid-state drive for data storage
- Platform configuration management
- Integrated SIP-based PBX





Technical Information

Dimensions	5.18"L x 4.64"W x 1.90"H
Weight	2.4lb
Mounting Provisions	4 mounting holes for #8 bolts or screws; flange mount. Option to install in 2 or 4 MCU form factor with an IK-350
Connectors	MIL-DTL-24308G 62-pin Male HD D-sub
Operating Voltage	28VDC or 12VDC
Typical Power Consumption	11W
Maximum Power Consumption	15W
Ethernet	10/100/1000 BASE-T IEEE 802.3 Compliant Ethernet Ports with: ACS, Automatic MDI/MDIX crossover, Automatic polarity correction, and IEEE 802.3u compliant auto negotiation
Discrete GPIO	ARINC-628 GND/Open and High/Low Sensing Discrete Inputs/Outputs
Data Storage	1TB NVMe
Environmental Qualifications	RTCA DO-160G

Interfaces

QTY	Interfaces	Standards
6	Ethernet	1000/100/10 BASE-T (IEEE 802.3ab/u/i)
3	Discrete Inputs	ARINC-628
4	Bidirectional Discretes	ARINC-628
1	Power	12V and 28V DC

Contact us:

 ccxtechnologies.com

 info@ccxtechnologies.com

Powered
by

